

# PORTABLE SHELTER INSTRUCTIONS

MODEL: SH-5M-600

W6 x L6 x H 1.9 m



PICTURE MAY NOT REFLECT THE EXACT MODEL

# Covering Your World

---

## **TO OUR NEW AND VALUED CUSTOMER**

Thank you for purchasing your new Instant Shelter . We know you will have as much pleasure owning your new shelter as we had in making it for you. Our shelters have been designed for rapid assembly and minimal maintenance. We have rigorous quality control at every step of the shelter's manufacturing process to insure you the best unit money can buy. Our parts are triple checked prior to packaging to insure you will have everything you need before you start. In the unlikely event that a part is damaged or missing, you should immediately contact your place of purchase for a speedy replacement.

Qingdao Shenghe

## **And Now a Few Words About Safety**

### **HEAD PROTECTION IS RECOMMENDED!**

Working with or under heavy parts included with this shelter can cause serious head injury.

### **WEAR GLOVES**

You will be working with metal parts which may have SHARP edges

### **CHECK WITH YOUR LOCAL AUTHORITIES**

Underground POWER CABLES or GAS LINES may result in injury while securing the shelter. It may also result in having to move the building. A cursory check with the local building authorities will help alleviate these concerns.

## Covering Your World

---

### **CLIMBING EQUIPMENT**

It is highly recommended that scaffolding, ladders and mechanical lifting equipment conform to all local building codes when erecting the shelter. Safety straps and harnesses should be used at all times. The metal structure of the shelter has not been designed for human weight. Erecting shelter during wind or rain is unsafe and could

### **CHECK LOCAL WEATHER CONDITIONS**

Check your local weather forecast prior to planning your building day. Wind, snow and/or rain may cause unsafe conditions that could lead to serious injury.

### **STORING HAZARDOUS MATERIALS**

Check all local building codes prior to storing any hazardous material. Shelter may require additional ventilation to meet local codes.

### **SEVERE WEATHER CONDITIONS**

Working in and around the portable shelter during severe weather is not recommended. Serious injury could result. In the event that extraordinarily severe wind, snow or other severe conditions are predicted and if time permits, it is recommended that the shelter cover be removed.

### **PREVENT ENTRAPMENT**

Check Shelter for co workers before locking up. Always provide foescape in case of

## Covering Your World

---

### **SHELTER RELOCATION**

Should the shelter require relocation or disassembly for any reason, it is strongly recommended that the structure and its cover are thoroughly inspected prior to rebuilding

### **PERIODIC SHELTER INSPECTION**

As with all structures, periodic inspection of the cover and all structural components is highly recommended. Tightening the cover and the structure will prolong the life of your investment

## **PLEASE BE Safety CONSCIOUS!**

Common Sense is the knack of seeing things as they are, and doing things as they ought to be done. Harriet Beecher Stowe



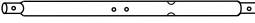

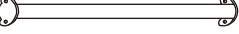


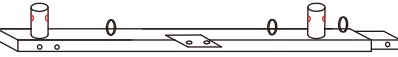
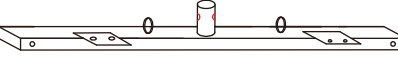
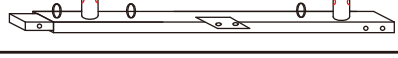



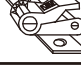


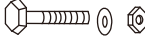
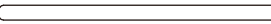




## **THANK YOU FOR CHOOSING OUR SHELTER**

### **UNPACKING & IDENTIFYING PARTS**

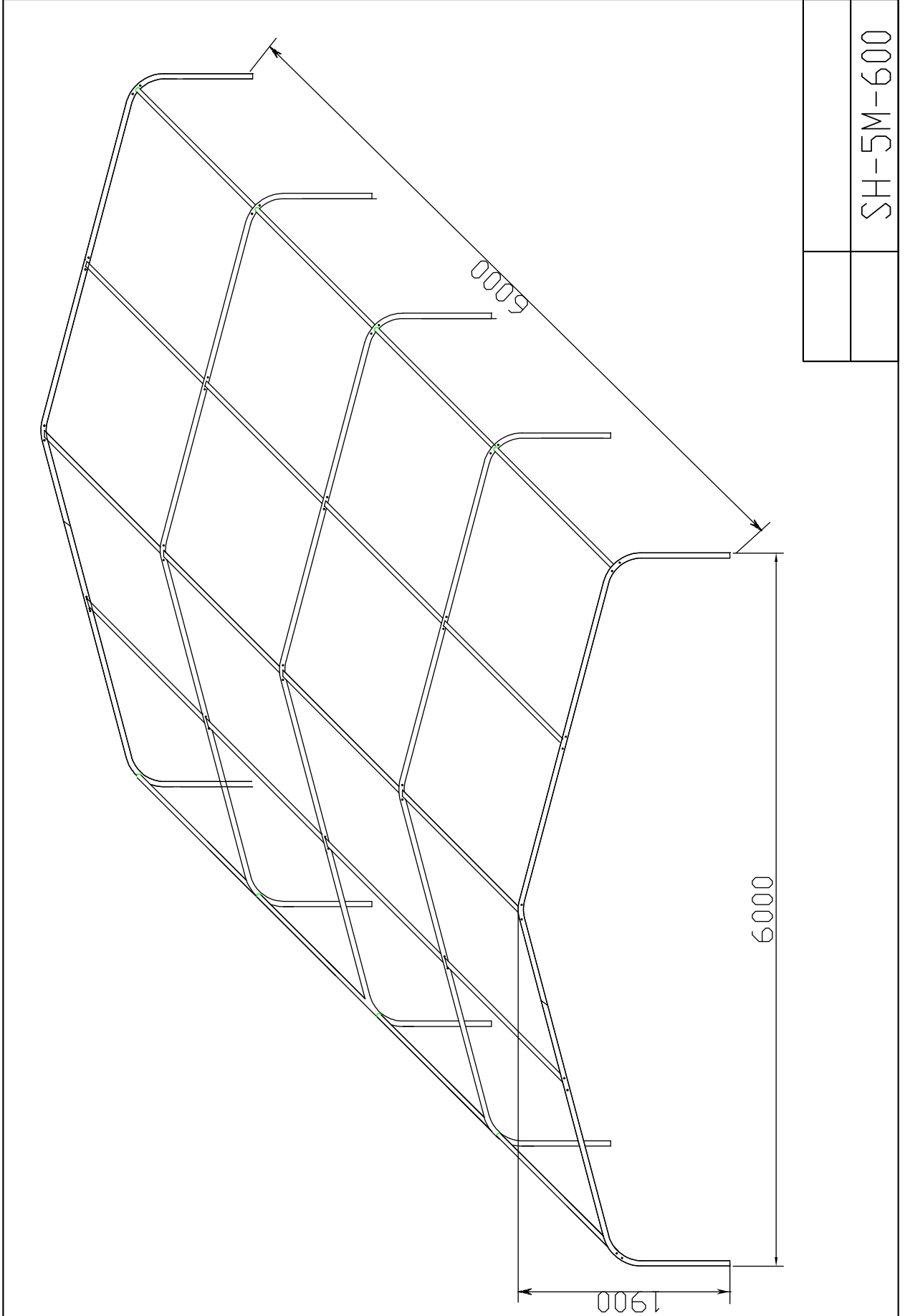
Prior to assembling your New Portable Shelter, unpack all crates and complete an inventory of all parts according to the following list and diagrams

# Covering Your World

## PARTS LIST FOR SH-5M-600

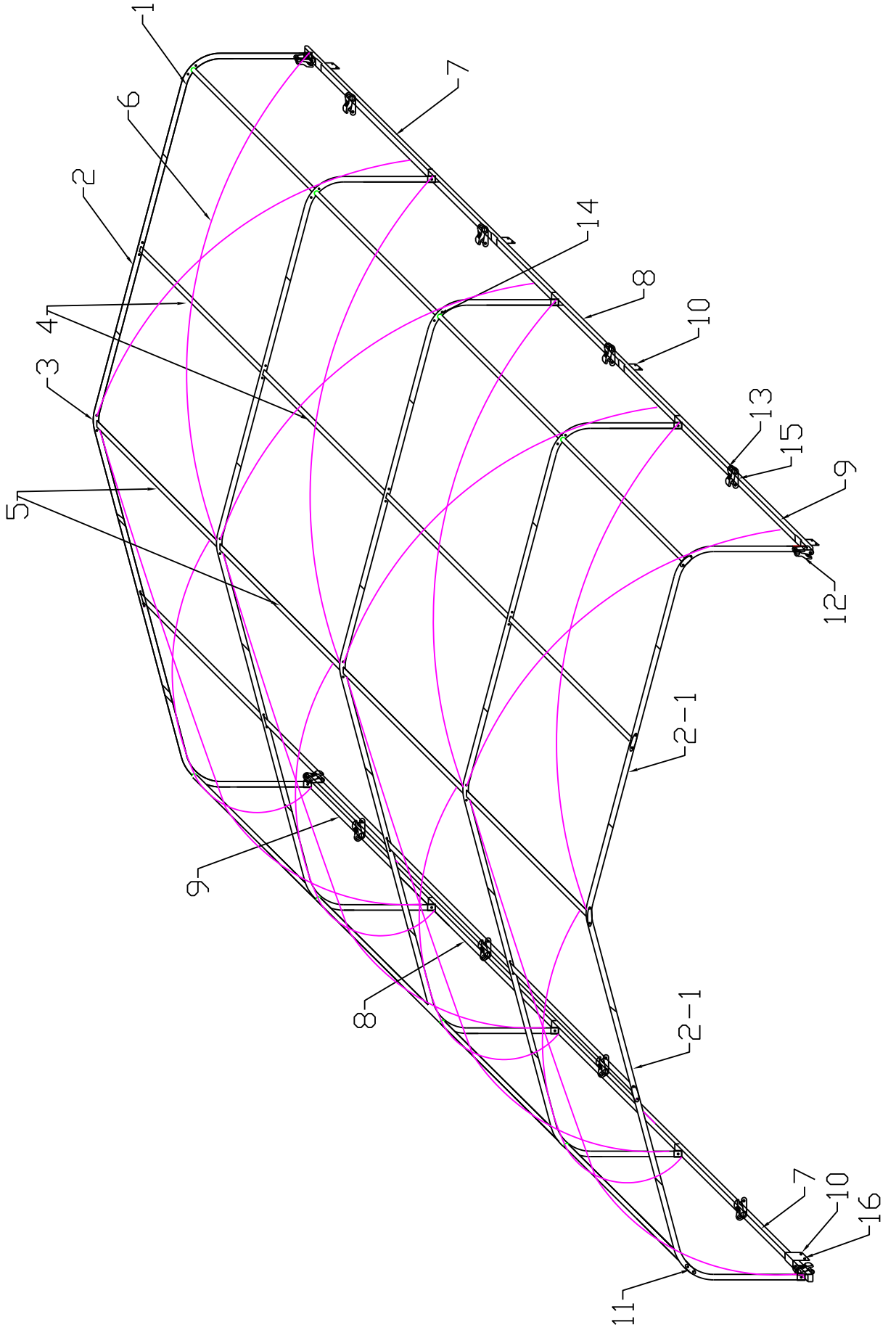
Parts#	Descriptions	Diagram	Dimensions ( in mm )	Q'TY
1	Curved Rafter (side crest)		∅ 45x1600	10
2	Roof Rafter		∅ 45x1550	8
2-1	Roof Rafter		∅ 45x1550	2
3	Top crest(Peak)		∅ 45x1750	5
4	Purlin		∅ 38x1437	16
5	Purlin with ring		∅ 38x1437	4
6	bracing cable		∅ 6x4100	16
7	Base Rail Parts		25x50x2000	2
8	Base Rail Parts		25x50x2000	2
9	Base Rail Parts		25x50x2000	2
10	Angle iron(to fix base rail on container)		120x90x59x4	8
11	Fixing steel plate			10
12	Ratchet Tie-Down(end)			4
13	Ratchet Tie-Down			8
14	Screws, washer and Nuts		M8x75	92
15	Screws, washer and Nuts		M8x15	16
16	Screws, washer and Nuts		M12x100	16
17	Cover Conduit		∅ 25x1510	2
18	Cover Conduit with swaged end		∅ 25x1510	6
19	Strap band(for ratchet)		25x700	8
20	Cover lock-up ratchet		T-2	28
21	Roof Cover			1

SH-5M-600 Main Dimension(mm)



	SH-5M-600
--	-----------

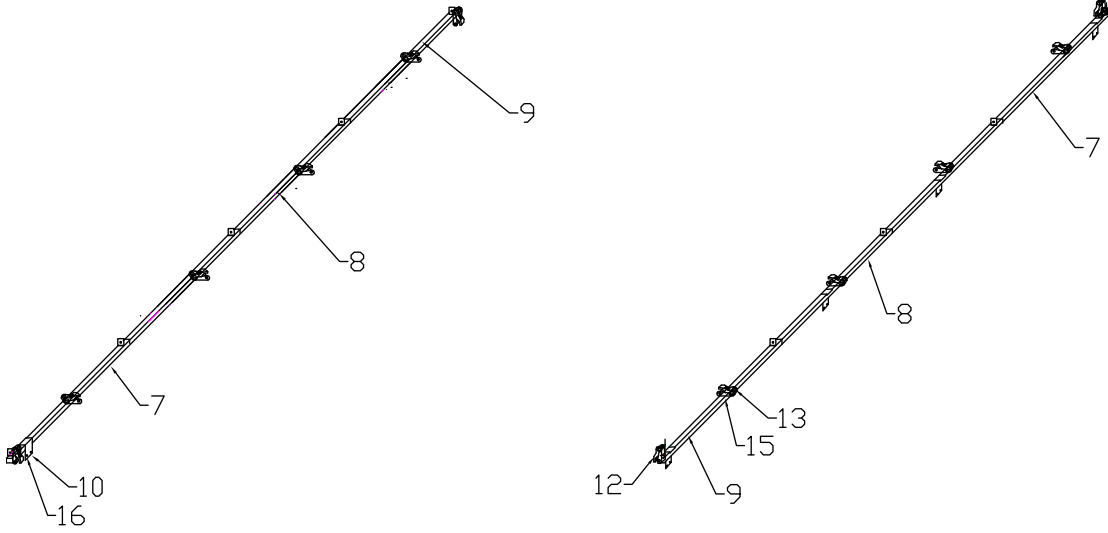
SH-5M-600 L6x W6 x H1.9m FRAME DIAGRAM



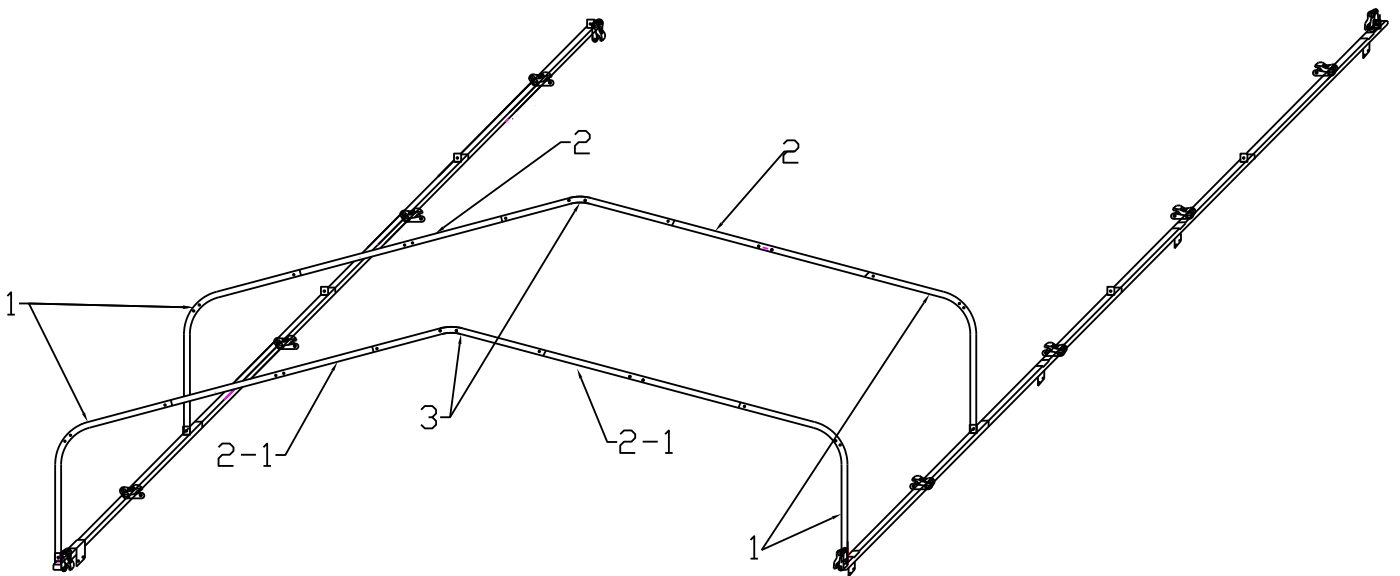
# Covering Your World

---

Step A: Place the base rail parts on a chosen place as shown below, and connect the parts.



Step B: Assemble the top crest(3), roof rafter(2) and curved rafter(1), and insert into the base rail. See below.

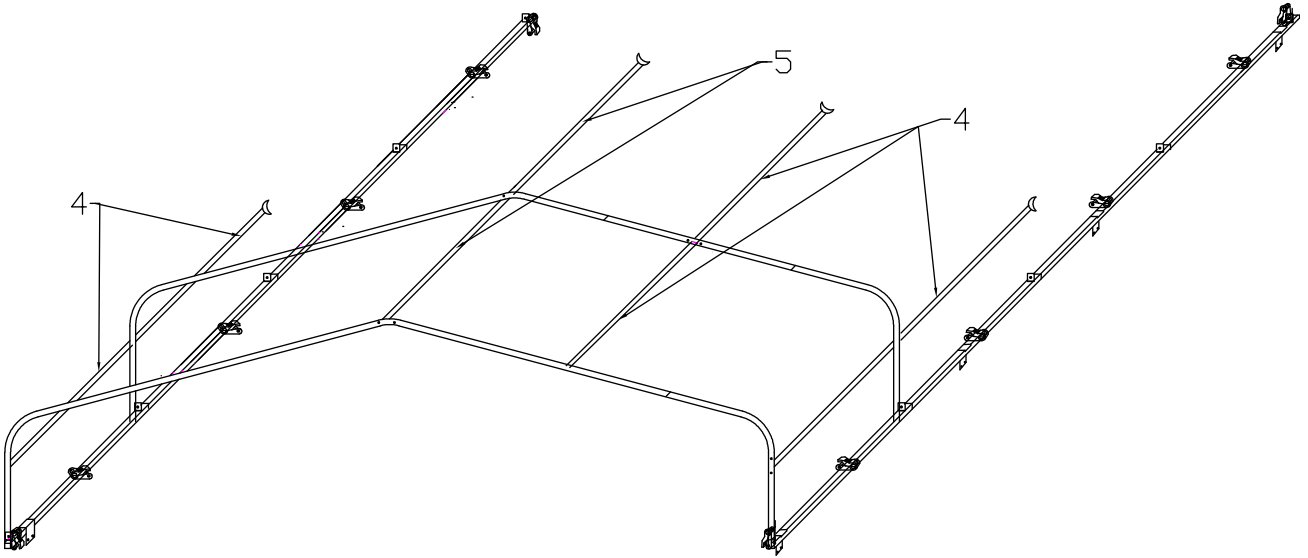




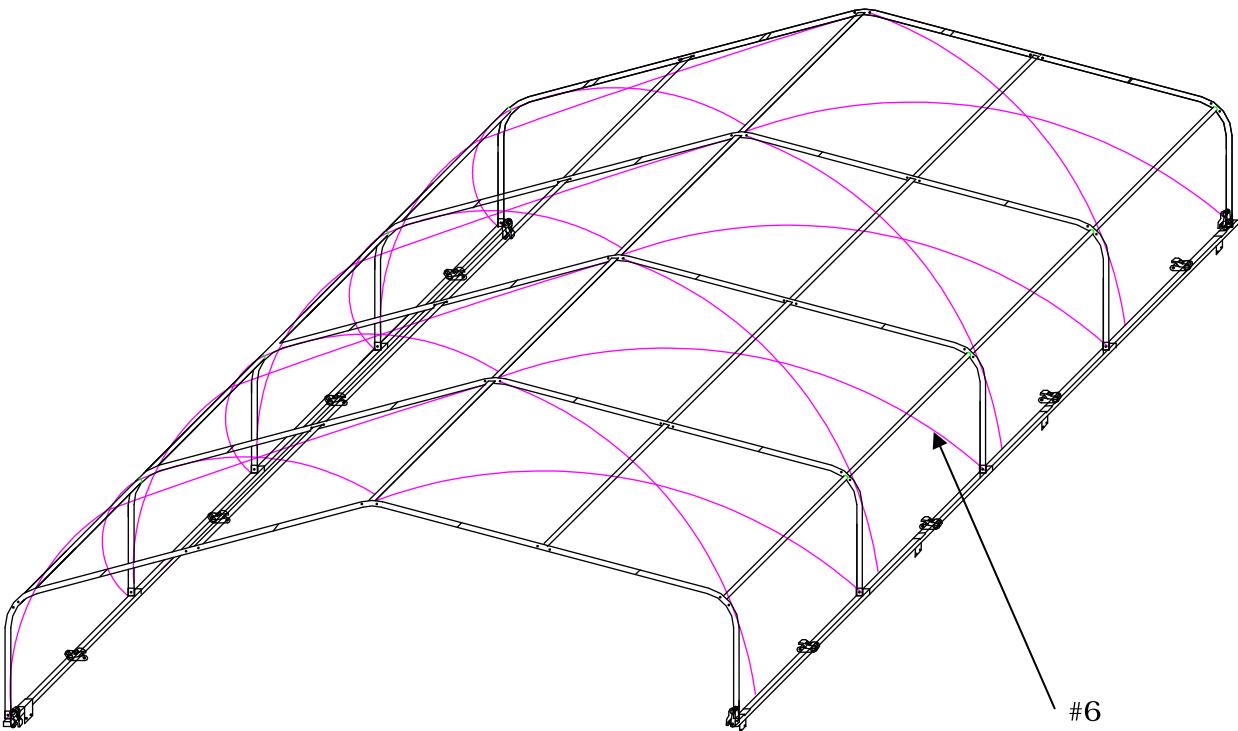
# Covering Your World

---

Step C: Install the purlin(4)or(5) as shown below. (use the screws and nuts where necessary)



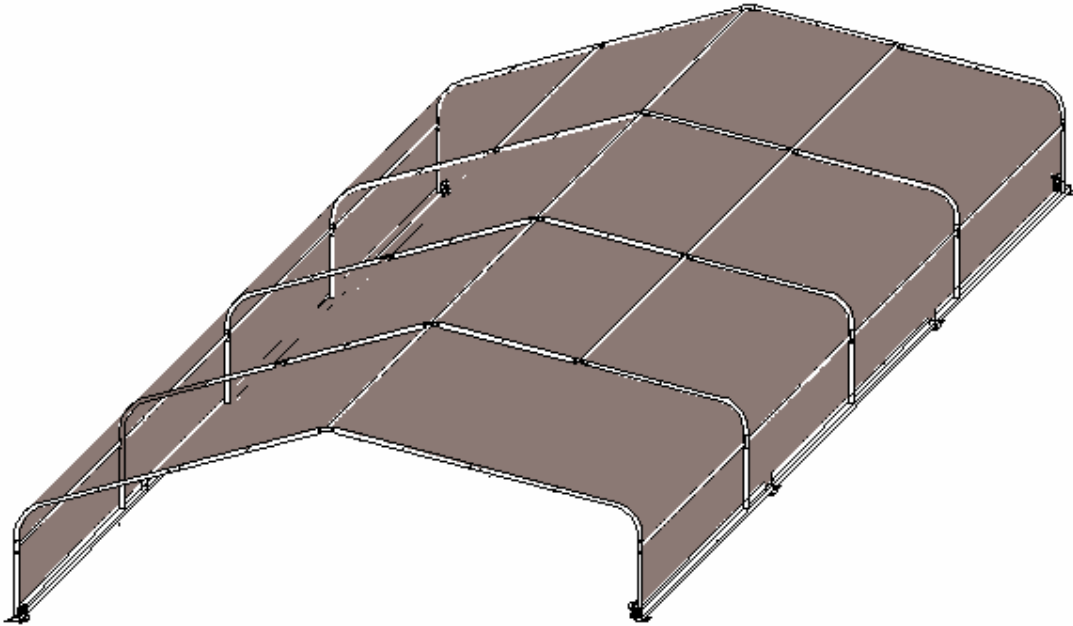
Step D: Do the same step B and C to the other rows, brace with bracing wire cable.



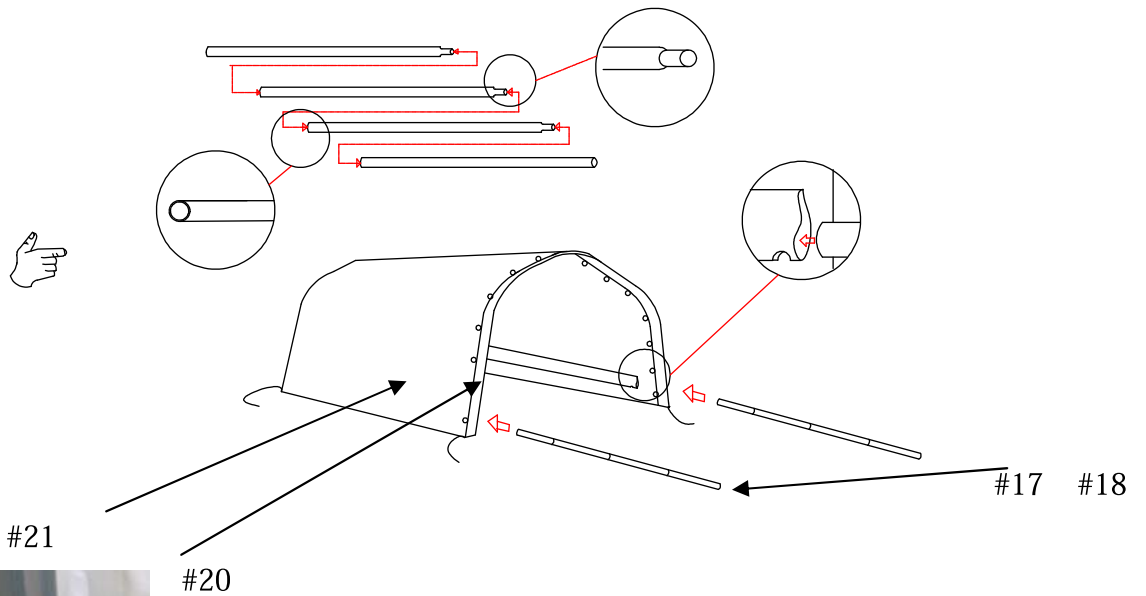
# Covering Your World

---

Step E: Put on the roof cover(21) as shown below.



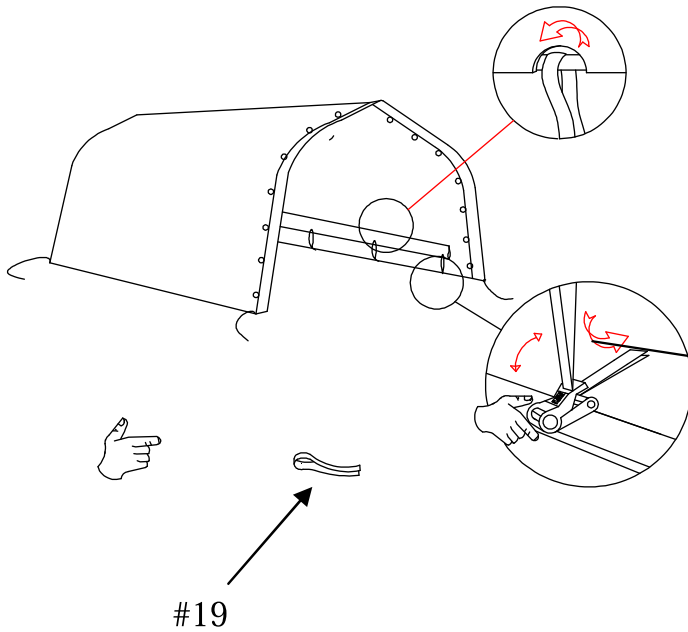
TIPS : Slide the roof cover over assembled frame from one side and insert the conduit to pocket on side:



# Covering Your World

---

Pocket for side wall conduit



Ratchet tie down for tensioning the Side wall (roof cover)



Step F: Fix the shelter to container top edge with angle iron and screws.

