

PORTABLE SHELTER INSTRUCTIONS

MODEL: SH-9M-635S

L12x W3.5 x H2m



PICTURE MAY NOT REFLECT THE EXACT MODEL

Covering Your World

TO OUR NEW AND VALUED CUSTOMER

Thank you for purchasing your new Instant Shelter . We know you will have as much pleasure owning your new shelter as we had in making it for you. Our shelters have been designed for rapid assembly and minimal maintenance. We have rigorous quality control at every step of the shelters manufacturing process to insure you the best unit money can buy. Our parts are triple checked prior to packaging to insure you will have everything you need before you start. In the unlikely event that a part is damaged or missing, you should immediately contact your place of purchase for a speedy replacement.

Qingdao Shenghe

And Now a Few Words About Safety

HEAD PROTECTION IS RECOMMENDED!

Working with or under heavy parts included with this shelter can cause serious head injury.

WEAR GLOVES

You will be working with metal parts which may have SHARP edges

CHECK WITH YOUR LOCAL AUTHORITIES

Underground POWER CABLES or GAS LINES may result in injury while securing the shelter. It may also result in having to move the building. A cursory check with the local building authorities will help alleviate these concerns.

Covering Your World

CLIMBING EQUIPMENT

It is highly recommended that scaffolding, ladders and mechanical lifting equipment conform to all local building codes when erecting the shelter. Safety straps and harnesses should be used at all times. The metal structure of the shelter has not been designed for human weight. Erecting shelter during wind or rain is unsafe and could result in serious injury.

CHECK LOCAL WEATHER CONDITIONS

Check your local weather forecast prior to planning your building day. Wind, snow and/or rain may cause unsafe conditions that could lead to serious injury.

STORING HAZARDOUS MATERIALS

Check all local building codes prior to storing any hazardous material. Shelter may require additional ventilation to meet local codes.

SEVERE WEATHER CONDITIONS

Working in and around the portable shelter during severe weather is not recommended. Serious injury could result. In the event that extraordinarily severe wind, snow or other severe conditions are predicted and if time permits, it is recommended that the shelter cover be removed.

PREVENT ENTRAPMENT

Check Shelter for co workers before locking up. Always provide forescape in case of emergency.

Covering Your World

SHELTER RELOCATION

Should the shelter require relocation or disassembly for any reason, it is strongly recommended that the structure and its cover are thoroughly inspected prior to rebuilding

PERIODIC SHELTER INSPECTION

As with all structures, periodic inspection of the cover and all structural components is highly recommended. Tightening the cover and the structure will prolong the life of your investment

PLEASE BE Safety CONSCIOUS!

Common Sense is the knack of seeing things as they are, and doing things as they ought to be done. Harriet Beecher Stowe

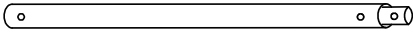


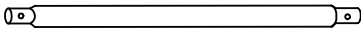

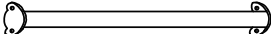
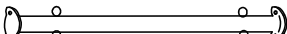
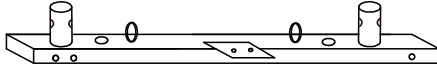
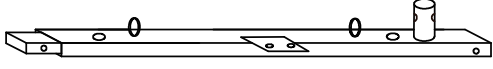
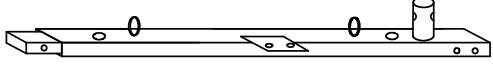
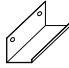


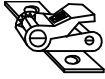


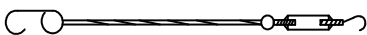
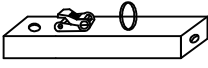
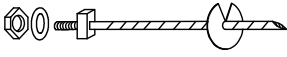
THANK YOU FOR CHOOSING OUR SHELTER

UNPACKING & IDENTIFYING PARTS

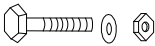

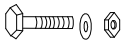
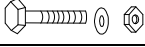
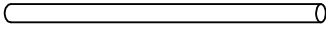
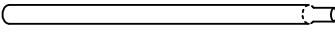


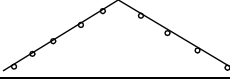
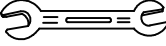
Prior to assembling your New Portable Shelter, unpack all crates and complete an inventory of all parts according to the following list and diagrams

Covering Your World

PARTS LIST FOR SH-9M-635S

Parts#	Descriptions	Diagram	Dimensions (in mm)	Q' TY
1	Leg rafter		Φ 45x2000	9
2	Side curved rafter		Φ 45x2100	9
3	Side curved rafter(container side)		Φ 45x1500	9
4	Roof rafter		Φ 45x960	18
5	Top crest		Φ 45x950	9
6	Purlin		Φ 38x1447	16
7	Purlin with ring		Φ 38x1447	16
8	Base Rail Parts		25x70x1574	2
9	Base Rail Parts		25x70x1489	12
10	Base Rail Parts		25x70x1489	2
11	Angle iron(to fix base rail on container)		120x95x75x15x4	9
12	Fixing steel plate		Φ 45	8
13	Ratchet Tie-Down(end)			2
14	Ratchet Tie-Down			16
15	bracing cable (container side)		Φ 6x3040	16
16	bracing cable(on roof)		Φ 6x2060	16
17	bracing cable(side)		Φ 6x3750	16
18	Door base		25x70x300	2
19	Anchor		M16x350	16

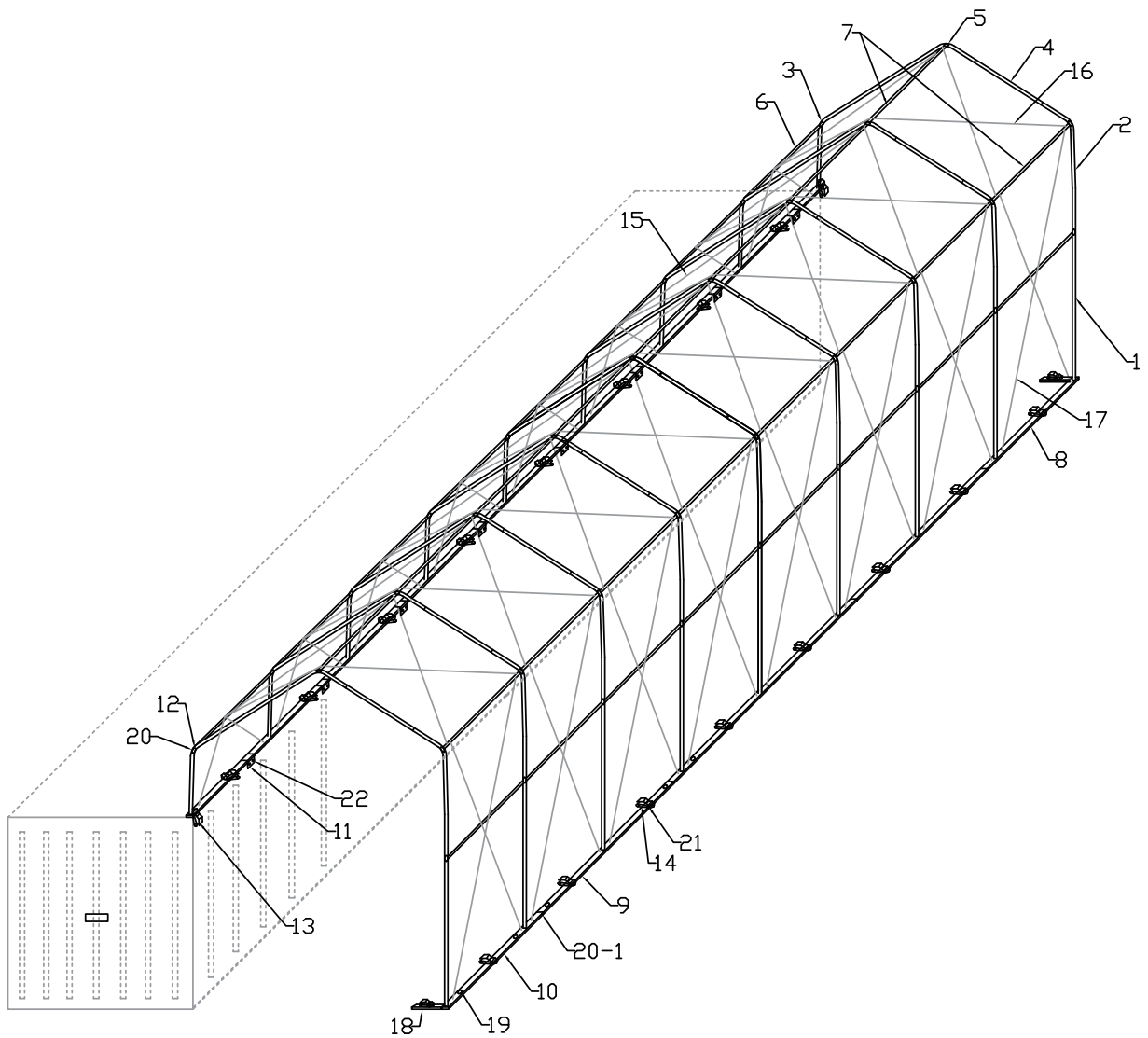
Covering Your World

Parts#	Descriptions	Diagram	Dimensions (in mm)	Q' TY
20	Screws kits		M8x70	130
20-1	Screw kits for base		M8x90	23
21	Screws kits		M8x15	32
22	Screws kits		M12x100	18
23	Cover Conduit		Φ 25x1670	2
24	Cover Conduit with swaged end		Φ 25x1500	14
25	Strap band(for ratchet)		25x700	16
26	Ratchet		T-2	28
27	Roof Cover			1
28	wrench		#13-16	2

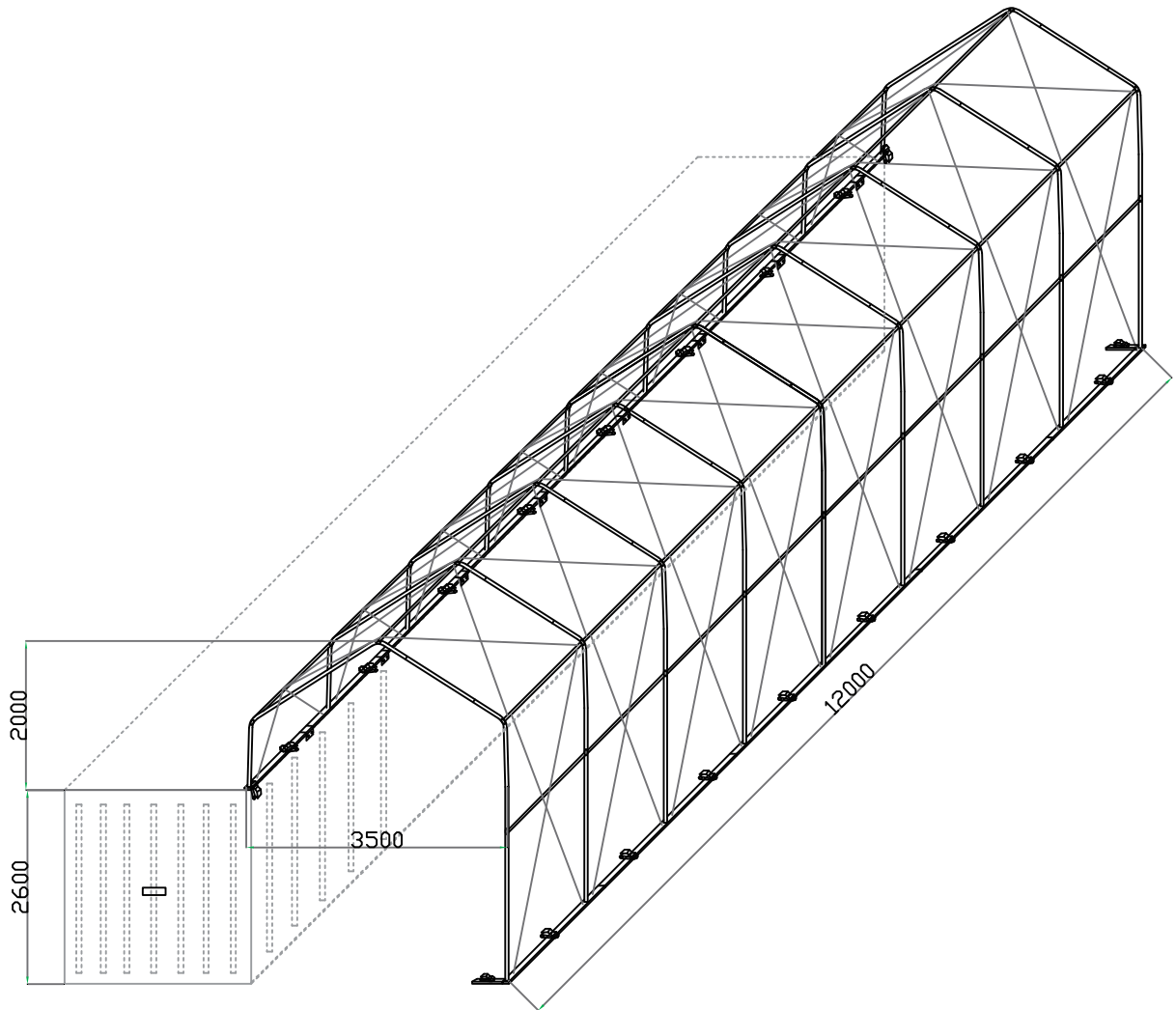
L12x W3.5 x H2m

FRAME DIAGRAM

SH-9M-635s



SH-9M-635s Main Dimension (mm)

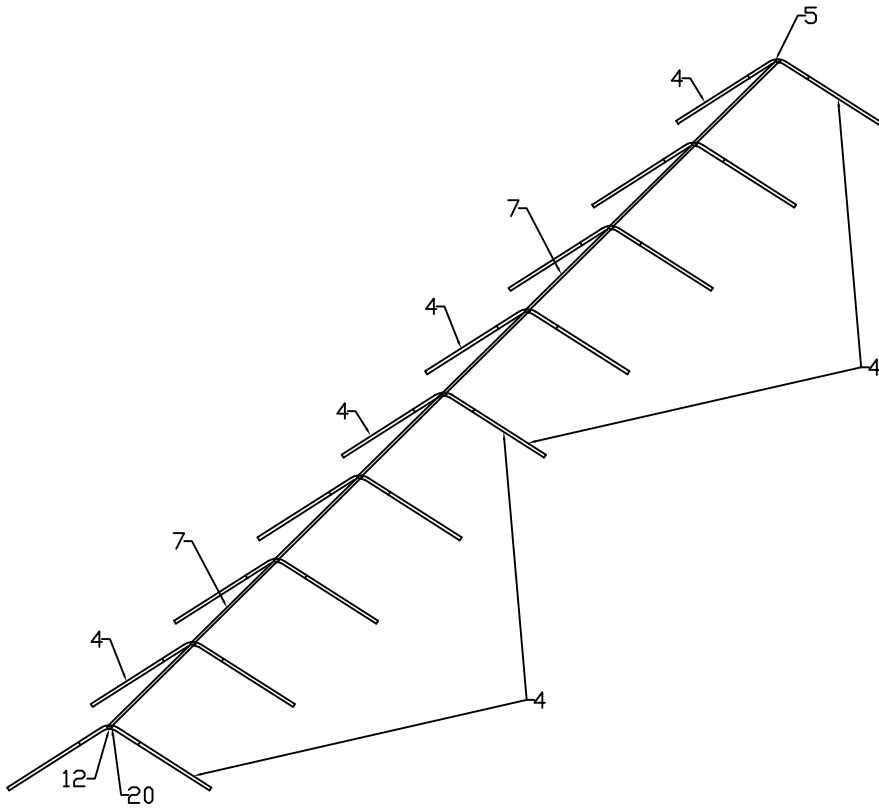


Assembling

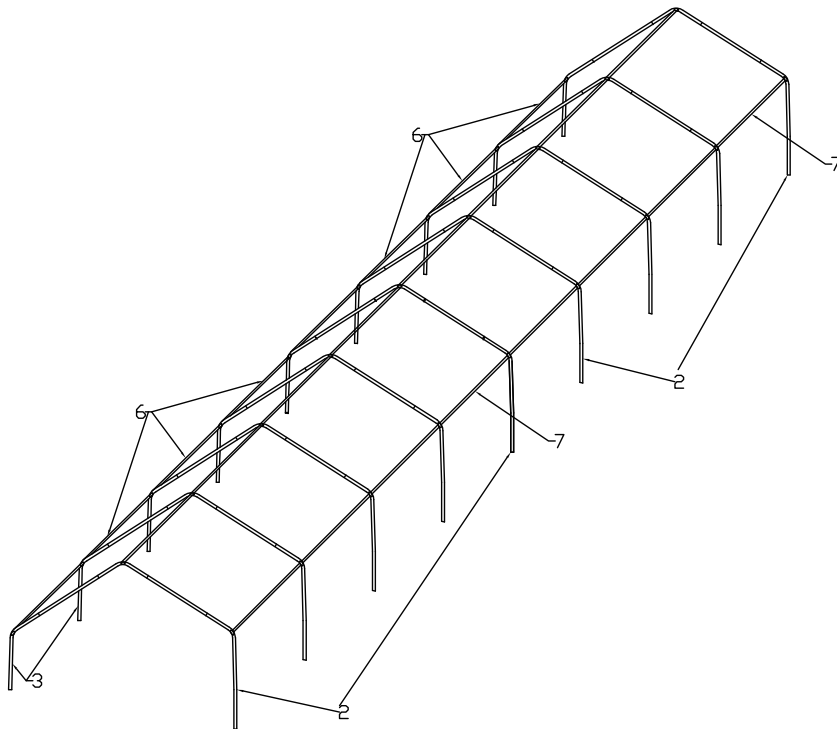
Step 1: Assemble the top and roof rafter #5 and #4, connect each row with purlin #7. Fasten with #20,

Covering Your World

put the fitting#12 one outside of the end and screw it.

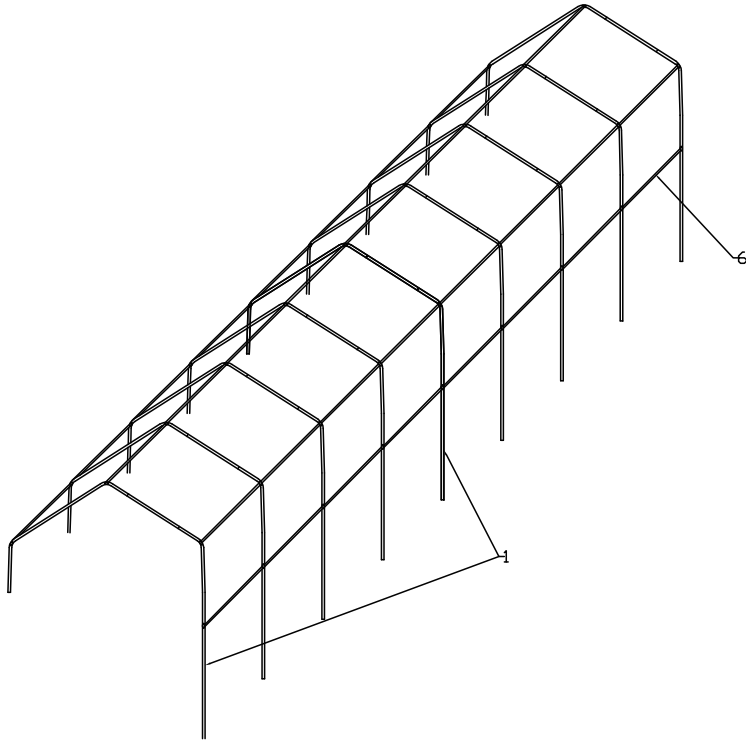


Step 2: Insert the rafters #2 and #3 into #4, connect each row with #6 and #7.。

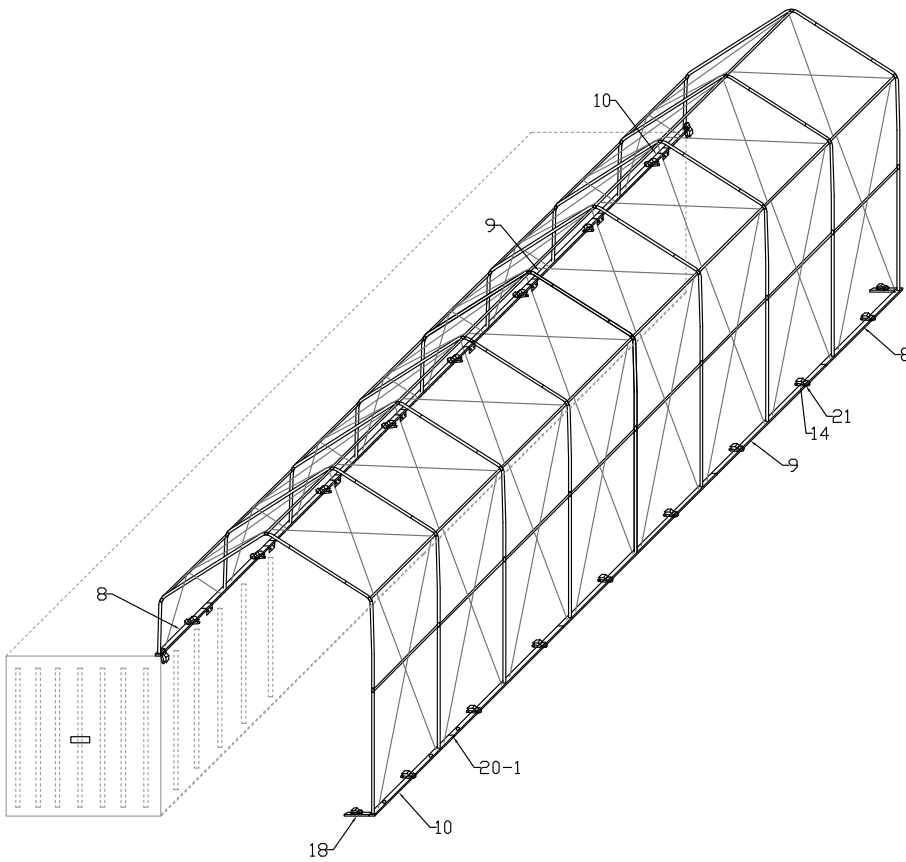


Step 3: Insert leg rafter #1 into #2. Connect each row with #6.

Covering Your World

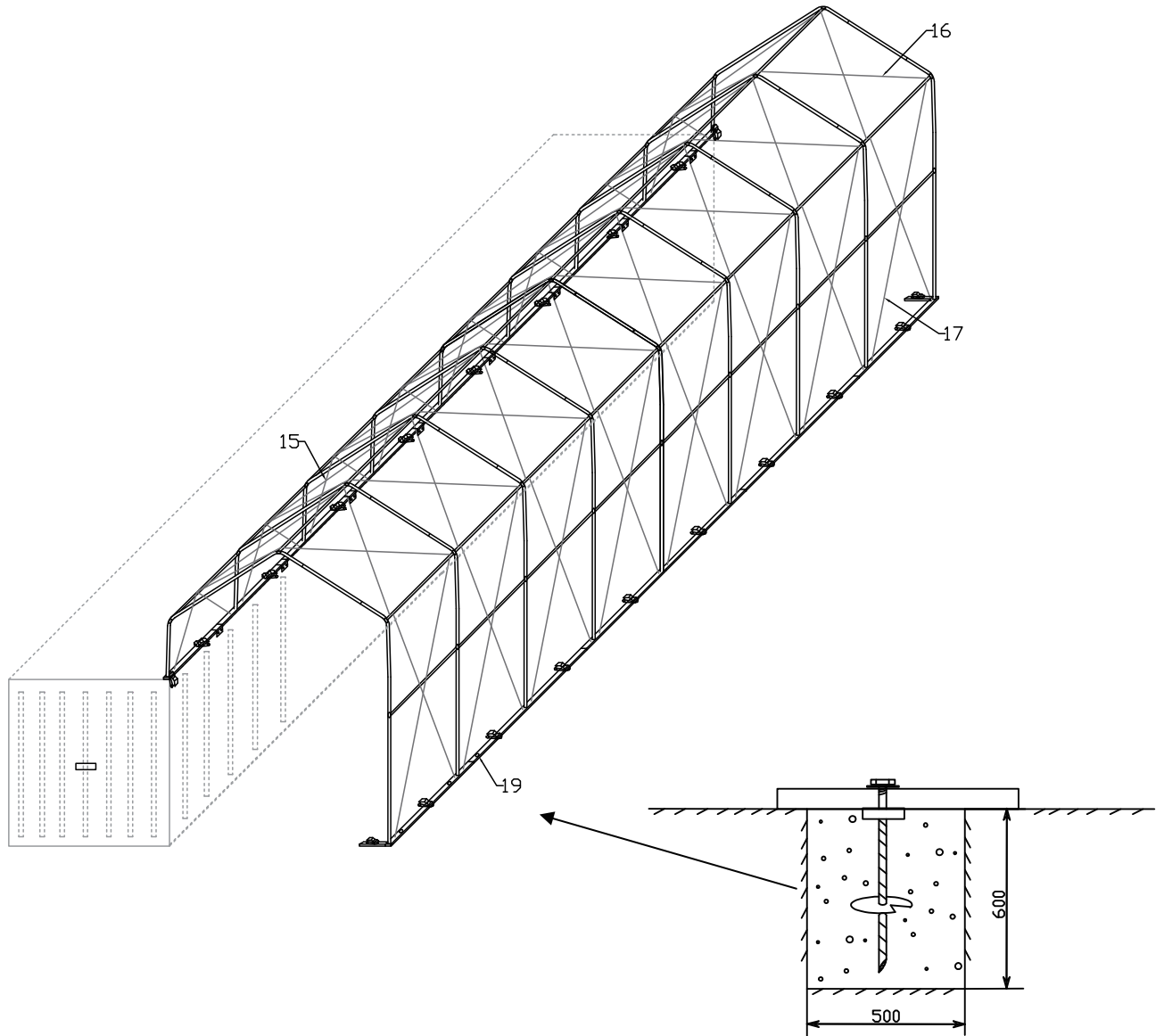


Step 4: With #20-1 to connect the base #8/#9/#10, and with #22 and #11 fix the container side base to container edge, put the frame assembled in step 3 into the base feet. with #21 to fix #14 on base.

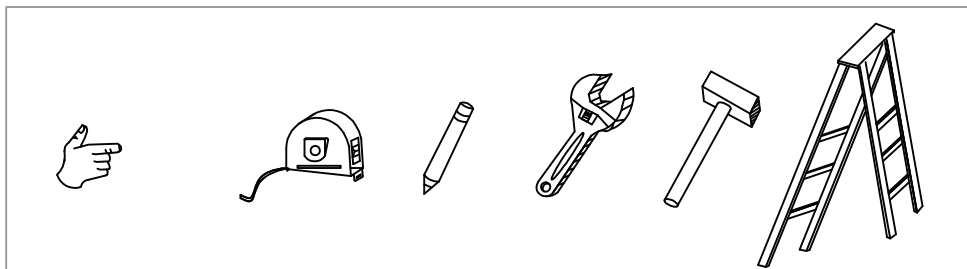


Step 5: brace the frame with cable #15、 #16、 #17. Fix the base to ground with #19.

Covering Your World



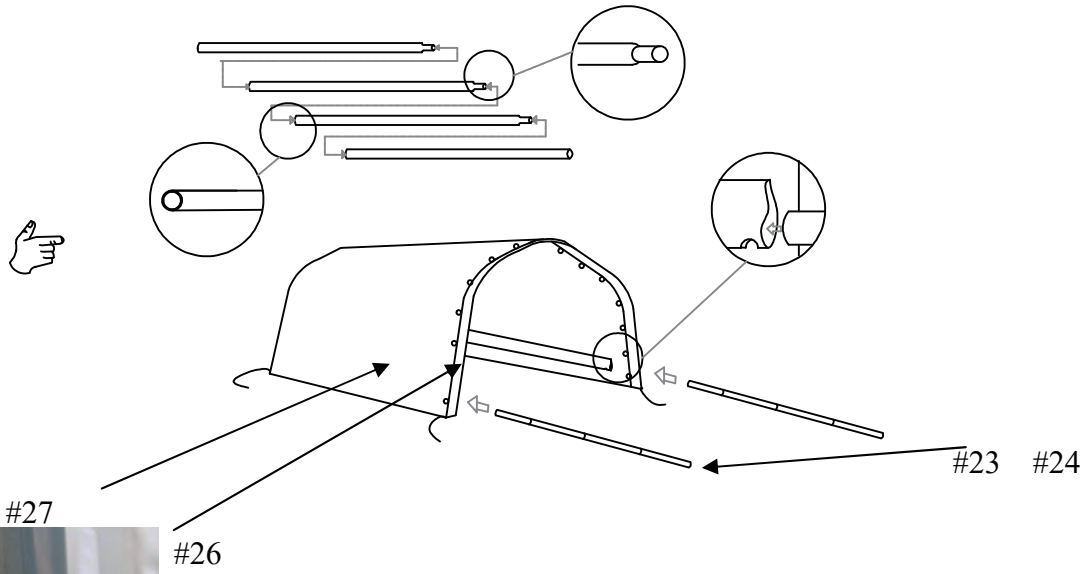
Tips: The tools below may needed while installing the shelter .



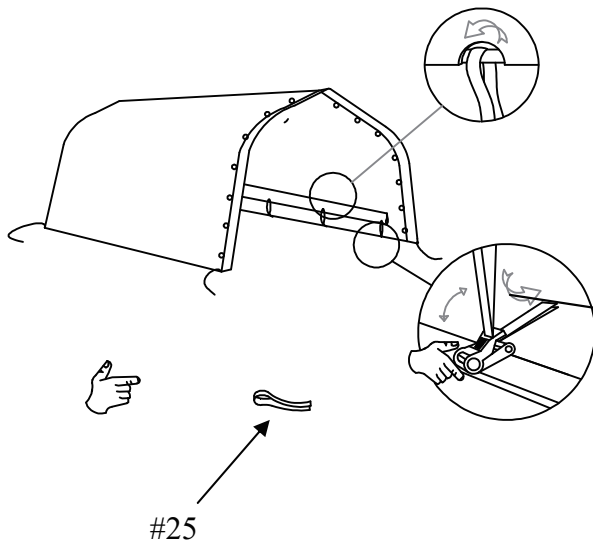
TIPS : Slide the roof cover over assembled frame from one side and insert the conduit to

Covering Your World

pocket on side:



Pocket for side wall conduit



Ratchet tie down for tensioning the Side wall (roof cover)



Covering Your World

Fix the shelter to container top edge with angle iron and screws.

