


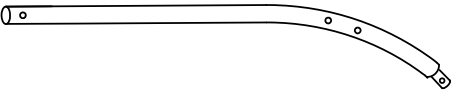
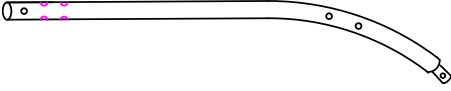
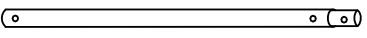
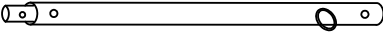
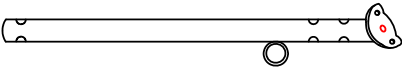
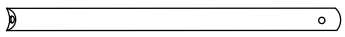
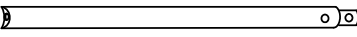
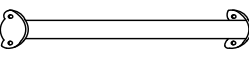
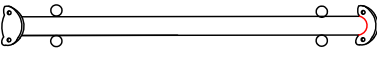
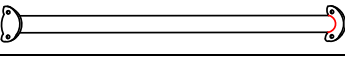
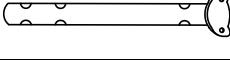
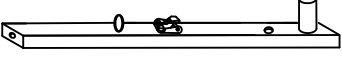
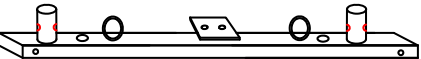
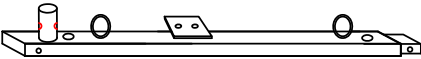
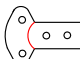


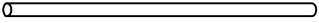
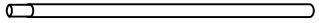
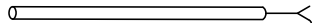

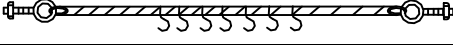

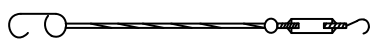


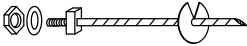
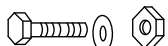
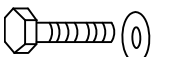
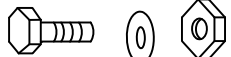
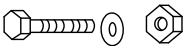
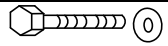

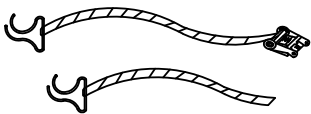
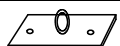
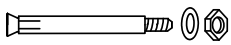


Covering Your World

PARTS LIST FOR SH-RO206015 (NO:2015.7)

Parts#	Descriptions	Diagram	Dimensions (in mm)	Q'TY	BOX
1	Top roof arched rafter(left)		Φ60x1600	11	1
2	Roof arched rafter		Φ60x1600	29	1
3	Roof arched rafter(lower end)		Φ60x1600	4	1
4	Side upper curved rafter		Φ60x1450	18	1
5	Side upper curved rafter		Φ60x1450	4	1
6	Side vertical rafter(leg)		Φ60x1800	22	2
7	Inside door vertical tube(lower)		Φ60x2000	4	2
8	Inside door vertical tube(upper)		Φ60x2035	4	2
9	Upper door cross tube		Φ60x1800	2	2
10	Upper door cross tube		Φ60x1800	2	2
11	Side door frame cross support tube		Φ45x1035	4	2
12	Top and side roof purlin		Φ45x1770	30	3
13	Purlin		Φ45x1770	40	3
14	Upper door vertical support		Φ60x800	2	2
15	Door frame base rail		90x30x1180	4	2
16	Side base rail(end)		90x30x1924	2	2
17	Side base rail		90x30x1824	18	2
18	Upper door vertical support connector		Φ60	2	2



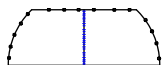
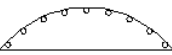

Covering Your World

PARTS LIST FOR SH-RO206015

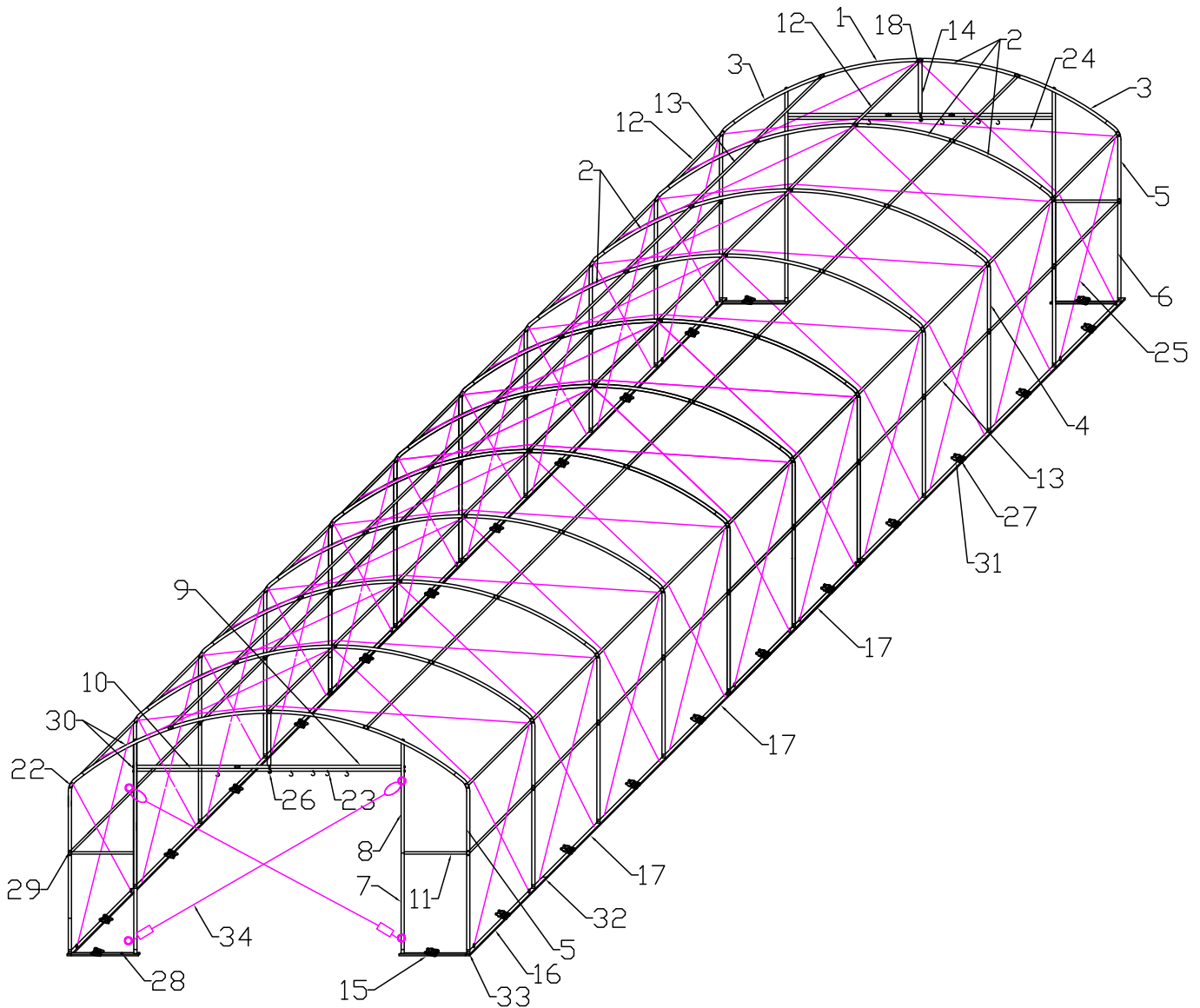
Parts#	Descriptions	Diagram	Dimensions (in mm)	Q'TY	BOX
19	Cover conduit		Φ32x1870	2	4
20	Cover conduit		Φ32x1870	18	4
21	Zipper tool(open/close)		Φ16x1800	1	4
22	Fixer (for door frame)		Φ60	30	2
23	Door sliding cable (S:14pcs)		Φ6x3600	2	1
24	Roof bracing cable kit		Φ6x3600	40	1
25	Side wall bracing cable kit		Φ6x3230	40	1
26	Door sliding cable support hook			2	2
27	Ratchet tie-down			20	2
28	Anchor		M16x450	44	1
29	Screw, washer and nut		M8x80	230	2
30	Screw and washer for door frame and door base rail		M8x80	8	2
31	Screw, washer and nut for ratchet		M8x15	40	2
32	Screw, washer and nut		M8x120	18	2
33	Screws for door base		M8x120	4	2
34	Door bracing cable kit		Φ6x4850	4	1
35	Fixer band			5	1
36	Fixer steel plate			10	1
37	Door Wedge anchor (#36)		M12x120	20	1
38	Cover lock-up		T-2	48	2
39	Ball type bungee		Φ5x380	76	2

Covering Your World

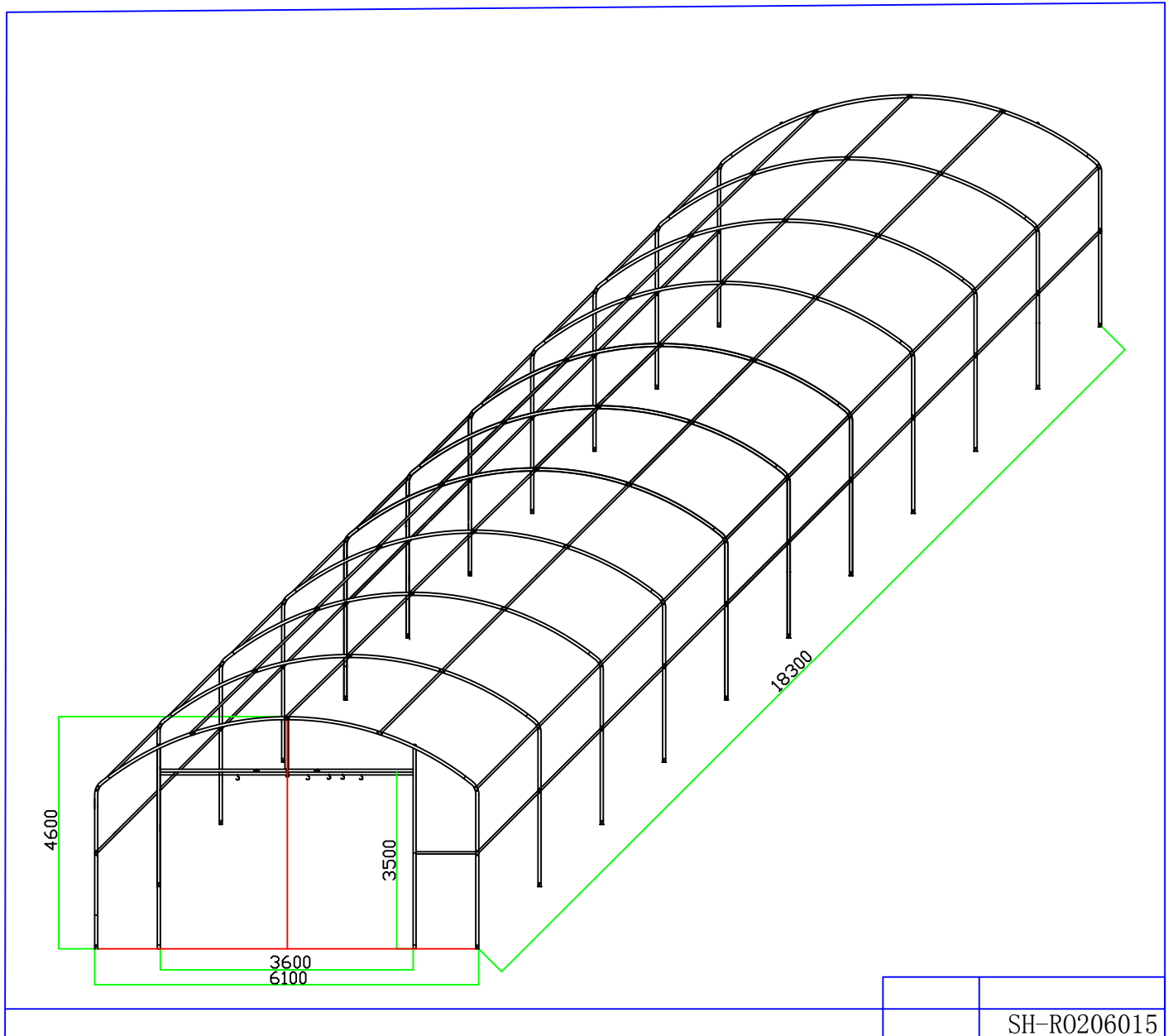
PARTS LIST FOR SH-RO206015

Parts#	Descriptions	Diagram	Dimensions (in mm)	Q'TY	BOX
40	Strap band(for ratchet)		25x700	20	2
41	Main Cover			1	4
42	door cover			2	4
43	upper cover			2	4
	Wrench		#13-16	2	2

L18.3 x W 6.1x H4.6m SH-RO206015



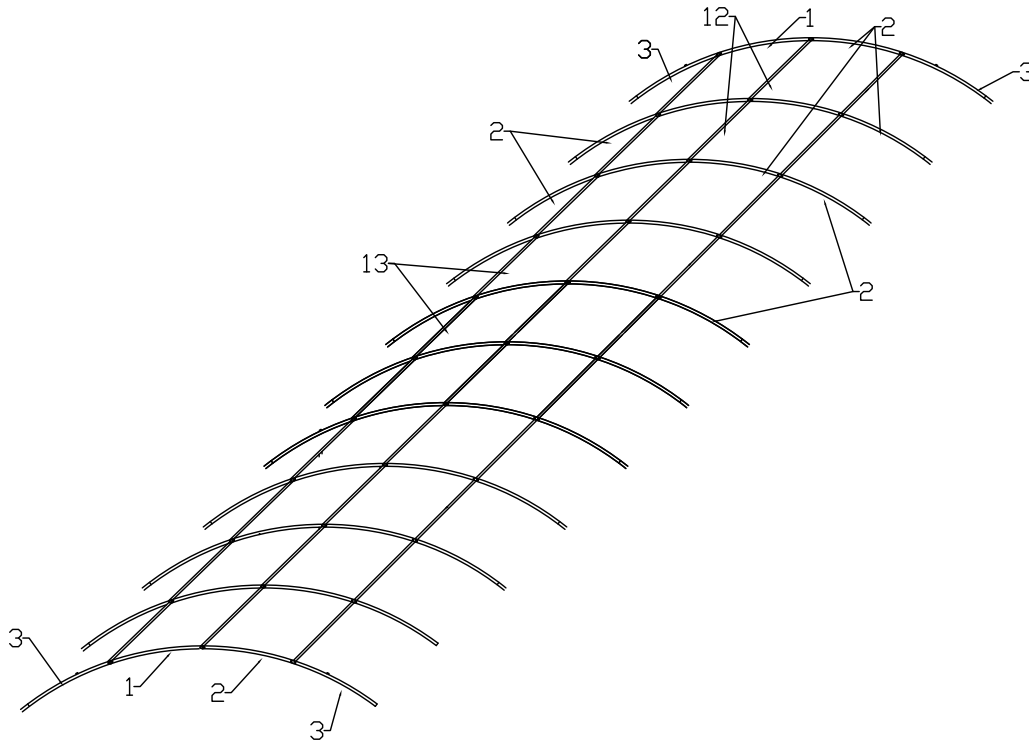
SH-RO206015 Main Dimension (mm)



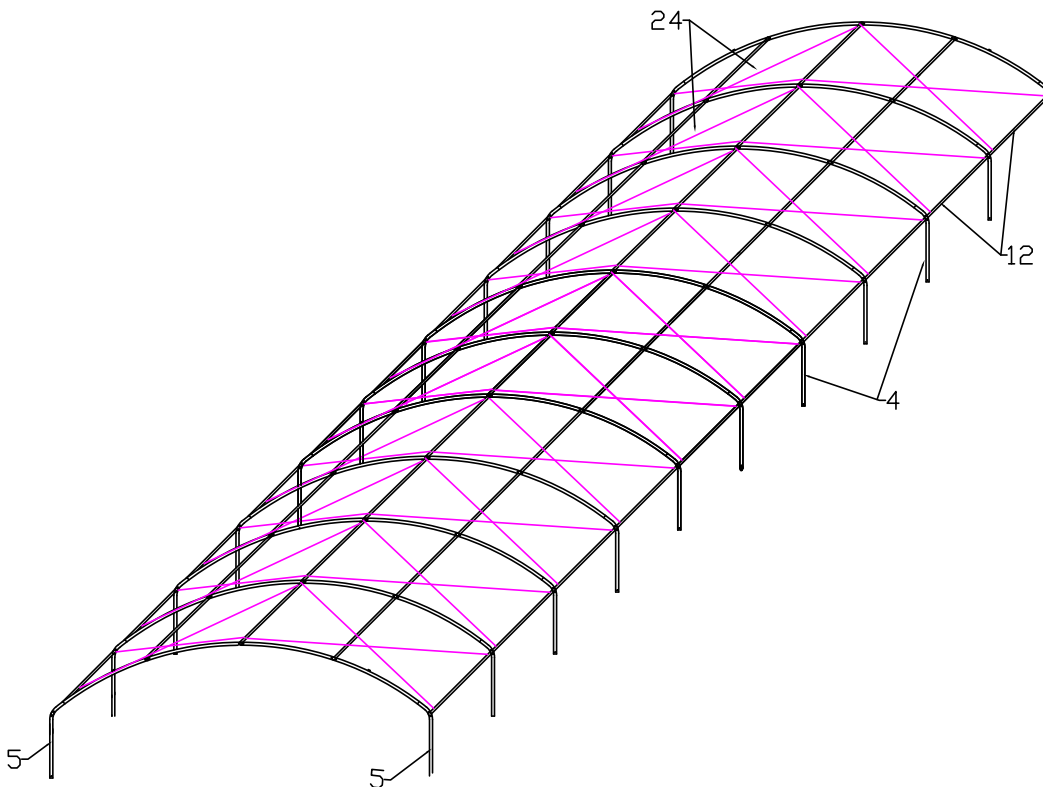
Covering Your World

Frame Assembly Steps

Step A : Assemble roof rafter#1,#2 and #3, then connect with purlin#12 and #13



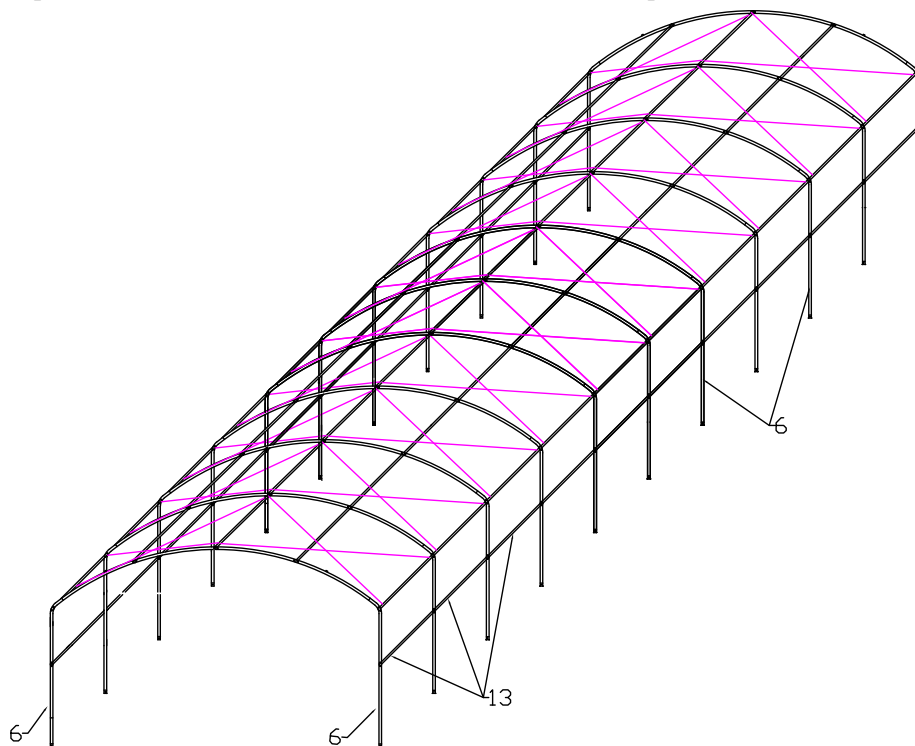
Step B: Install side curved rafter#4, #5 and purlin #12, then brace the roof with cables.



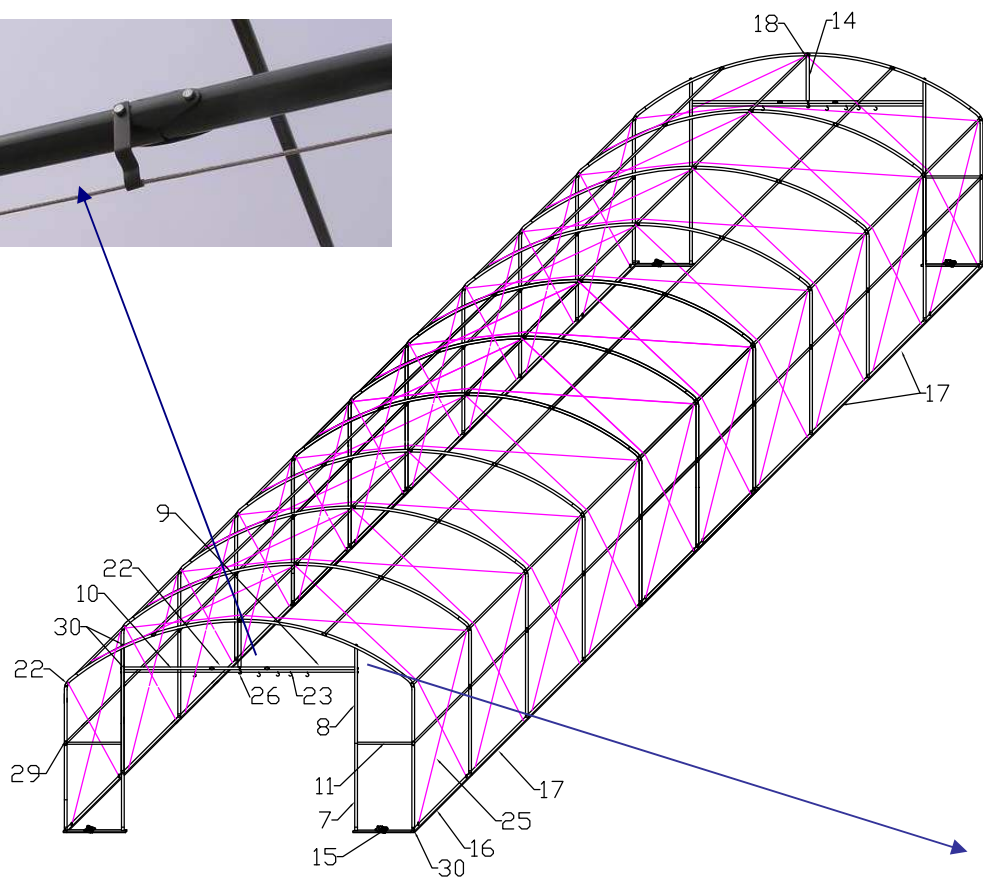
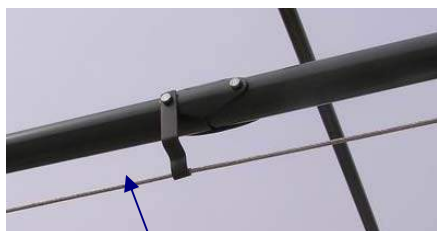
Notice: Apply heavy duct tape on all pipe connections and clamps that may contact the cover. (tape are not included in the packaging, please buy it on market)

Covering Your World

Step C : Install side vertical rafters #6 and connect with purlin.

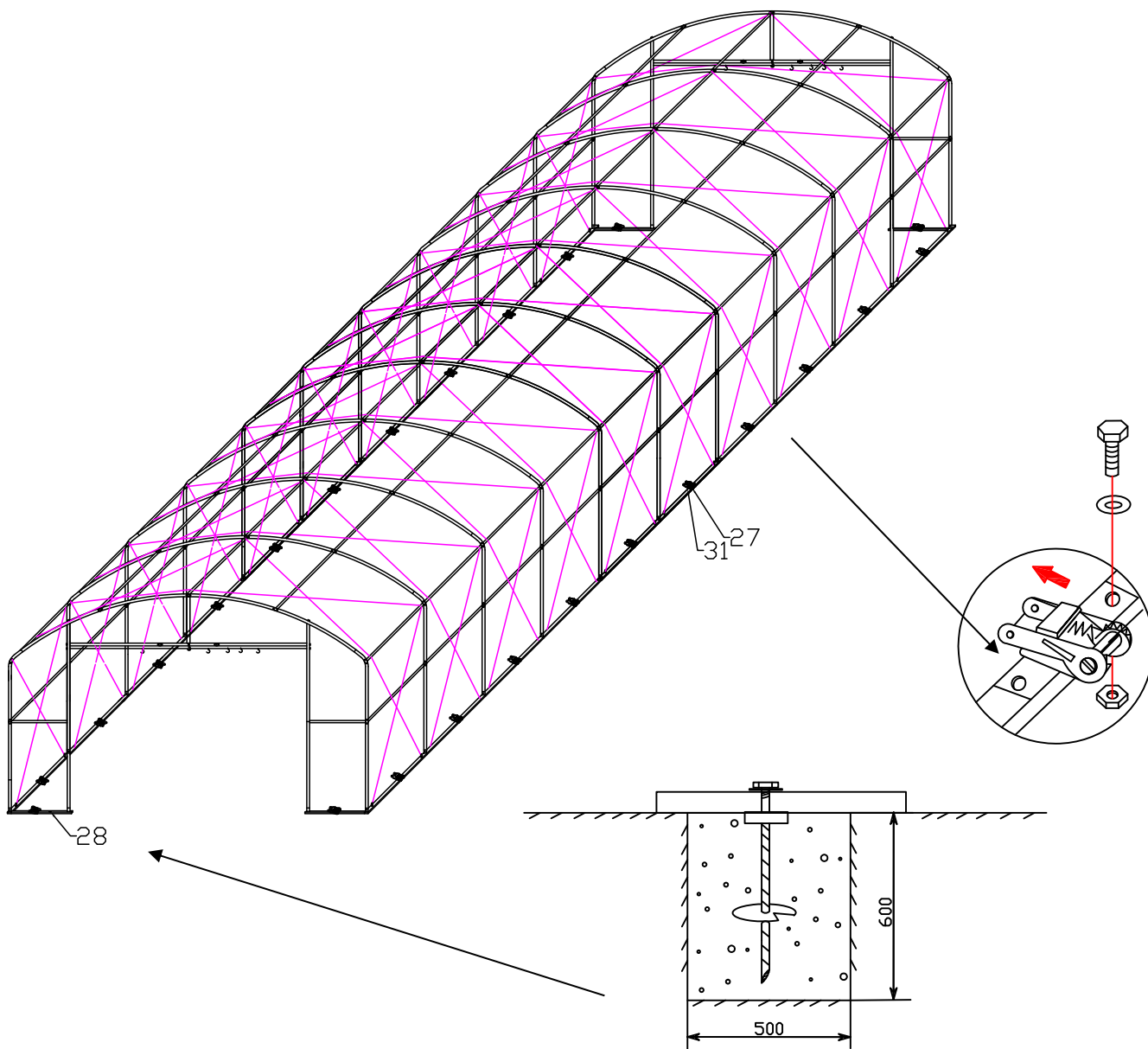


Step D: Put the base rails #15、#16、#17 in position, put the above frame into base feet. Then install the door frame as shown below.(fasten each part by screws)

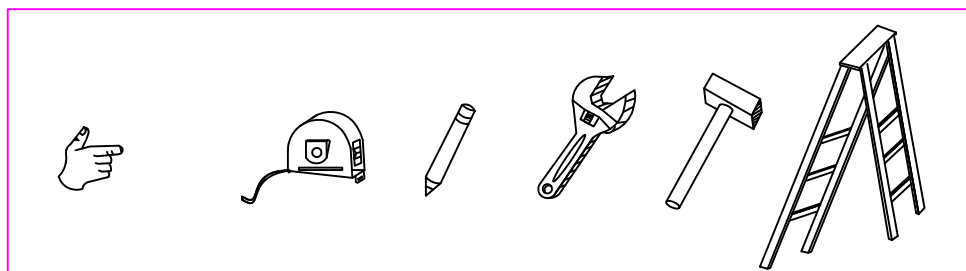


Covering Your World

Step E : Install ratchet #27 on base rails with screws#31, fix the base rail on solid ground with anchor#28.

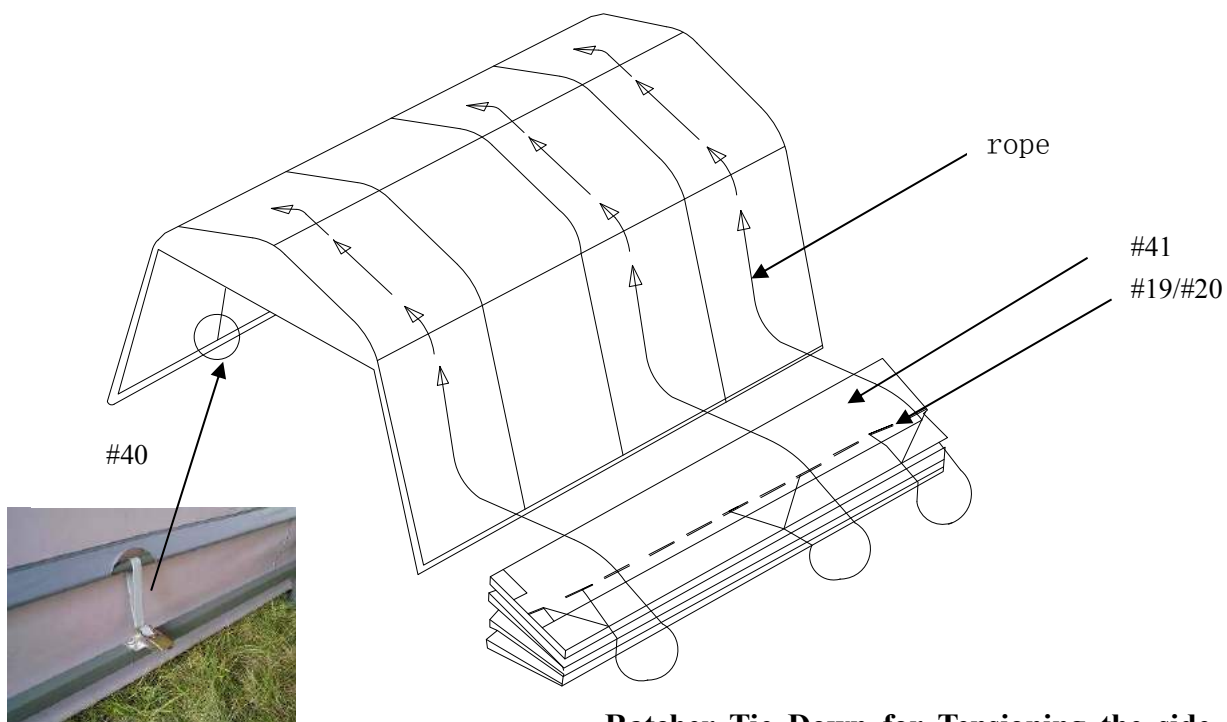


Tips: The tools below may needed while installing the shelter.

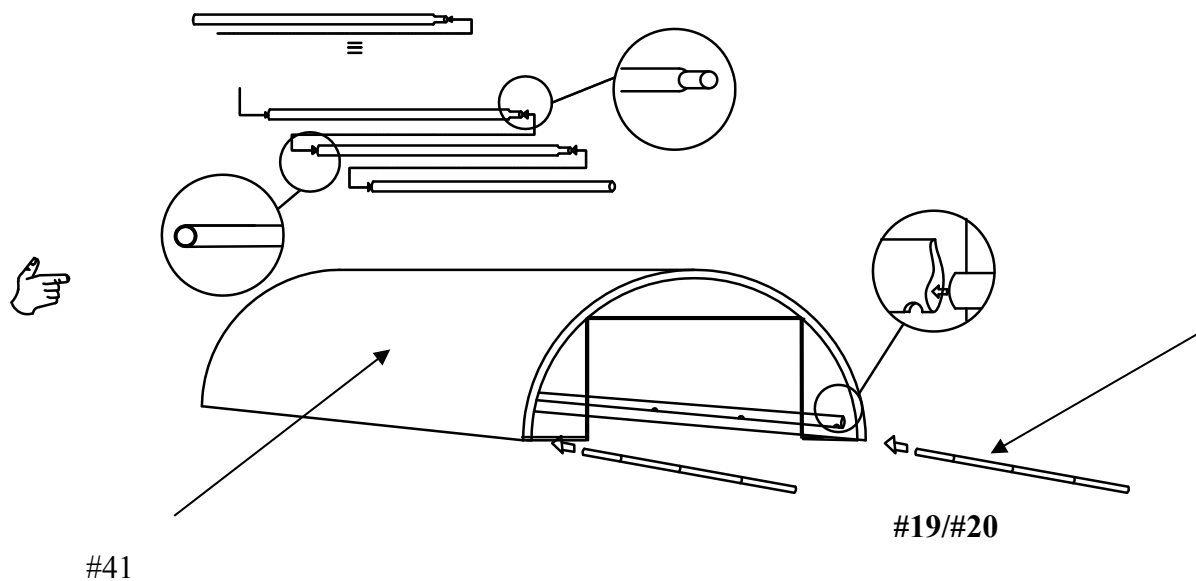


Roof Cover Assembly

TIPS : Slide the roof cover over assembled frame from one side and insert the conduit to pocket:



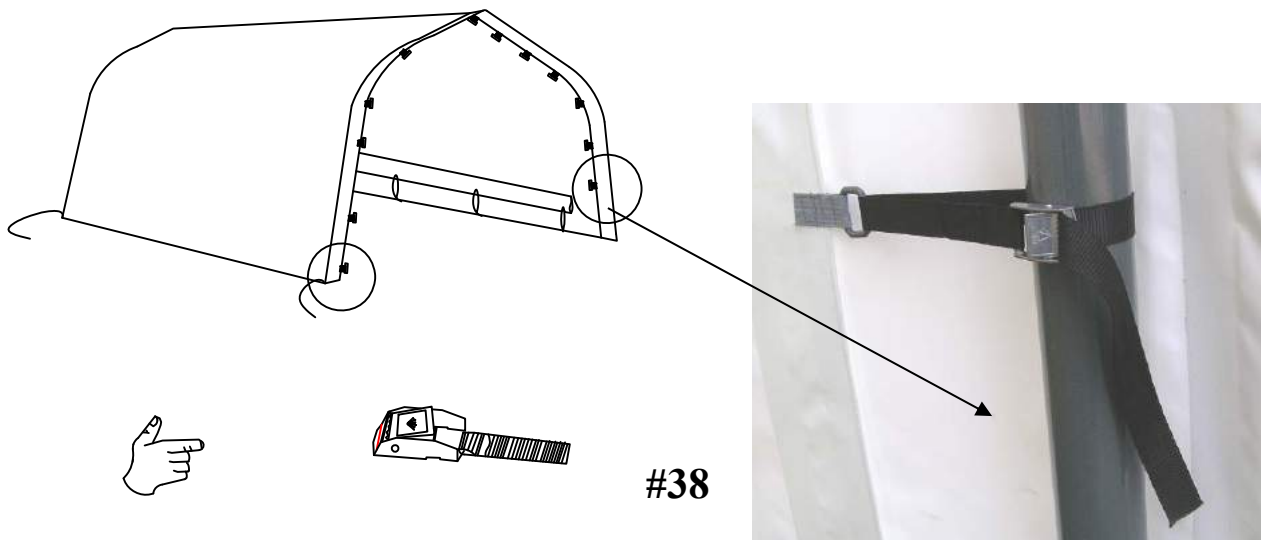
Ratchet Tie Down for Tensioning the side wall (roof cover)



Covering Your World

Pocket for side wall conduit

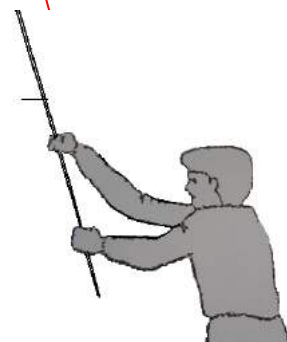
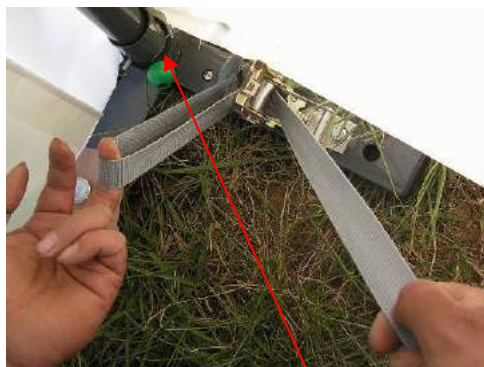
Step 2 : Attach the door cover (#42/#43) to the door frame as following :



**Note: #38 for main roof cover tensioning.
#39 for front and end covers tensioning.**

Step 3 : Your assembled shelter will be similar to the illustration as below :

Illustration for Ratchet



Remarks roof cover:

